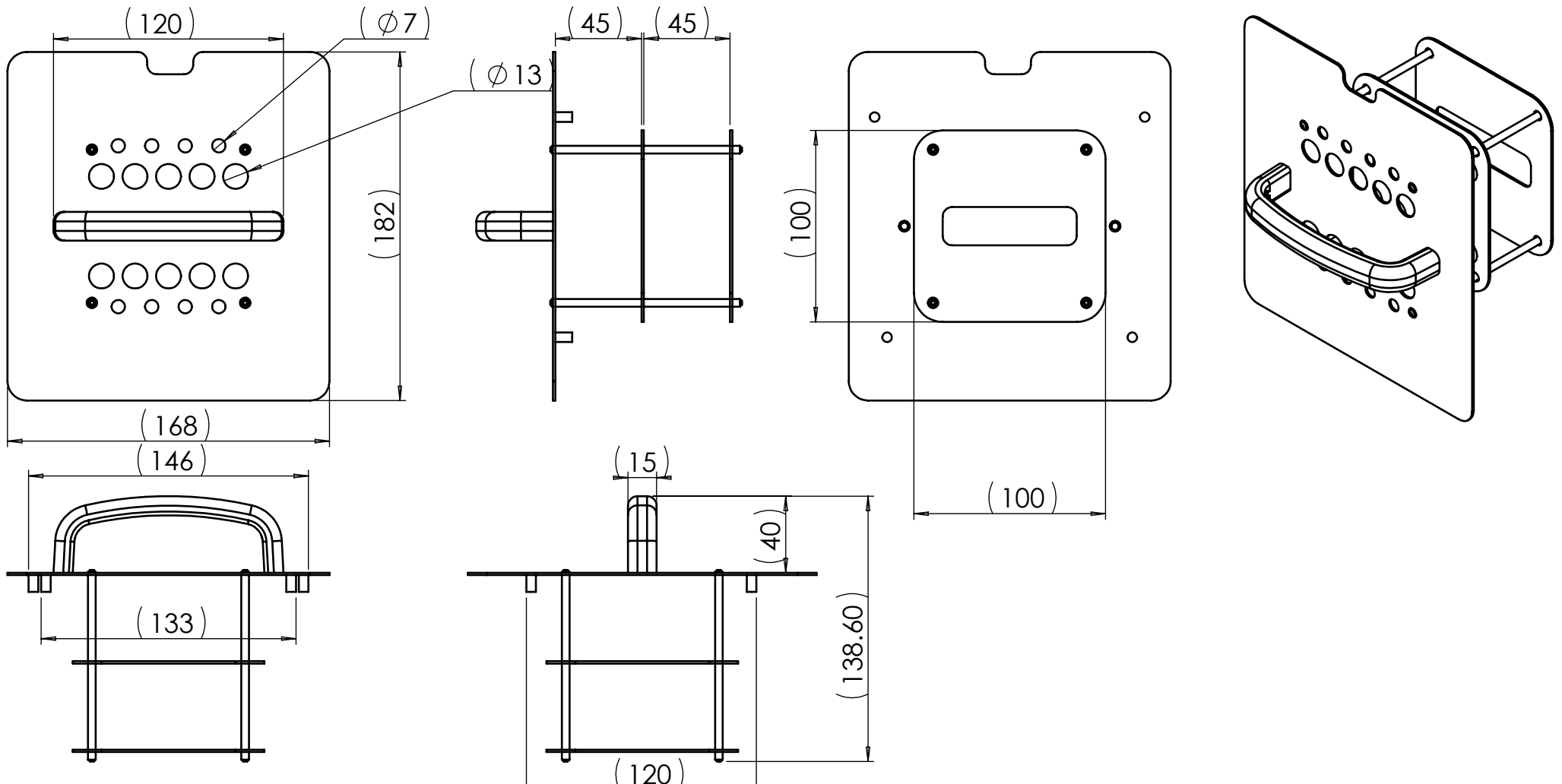


INSTRUMENT									DO NOT SCALE IF IN DOUBT ASK	ISSUE	1	DRAWING NUMBER	techne-146
QUANTITY PER	1								REMOVE ALL BURRS & SHARP EDGES				



GEN TOL:	X ± 0.5	X.X ± 0.2	X.XX ± 0.1	HOLES ± 0.1	ANGULAR ± 0.5 DEG	UNLESS OTHERWISE STATED	DIMENSIONS: mm	SCALE: 1:1	
APPROVED	MATERIAL MUST CONFORM TO RoHS DIRECTIVE 2011/65/EC								
CHECKED	FINISH			1	12/2011	GM	NEW		
				ISS	DATE	ECN No.	CHANGE DETAILS	ISS DATE ECN No. CHANGE DETAILS	
DRAWN GM	ALL WORK TO COMPLY WITH CURRENT ENGINEERING STANDARDS			THIRD ANGLE PROJECTION DRAWING PREPARED IN ACCORDANCE WITH BS8888		THIS DRAWING IS THE COPYRIGHT OF Bibby Scientific, COPIES IN WHOLE OR PART MUST NOT BE MADE WITHOUT THE WRITTEN CONSENT OF THE COMPANY ©2011			
				TITLE fbc7ph envelope			SHEET No. 1 OF 1	ITEM No. DRAWING NUMBER techne-146	<b>A4</b>
Bibby Scientific, Beacon Road, Stone, Staffordshire, ST15 0SA, United Kingdom. Tel: 01785 812121 Fax: 01785 810405 Email: info@bibby-scientific.com									