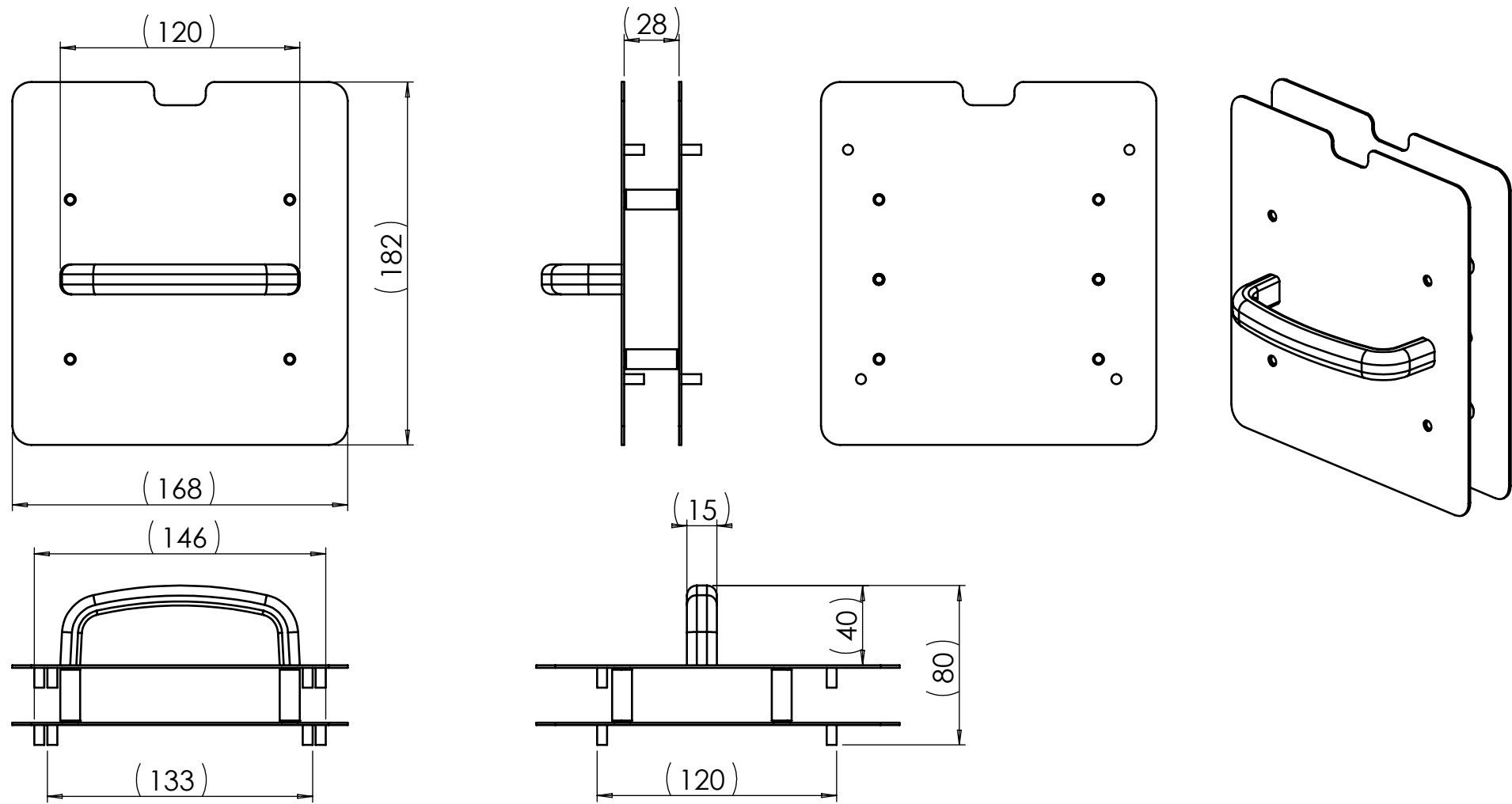


INSTRUMENT								DO NOT SCALE IF IN DOUBT ASK	ISSUE	<b>1</b>	DRAWING NUMBER	<b>techn-270</b>
QUANTITY PER	1							REMOVE ALL BURRS & SHARP EDGES				



GEN TOL:	X ± 0.5	X.X ± 0.2	X.XX ± 0.1	HOLES ± 0.1	ANGULAR ± 0.5 DEG	UNLESS OTHERWISE STATED	DIMENSIONS: mm	SCALE: 1:3	
APPROVED	MATERIAL								
SEE RELEVANT DCP #	MUST CONFORM TO RoHS DIRECTIVE 2011/65/EC								
CHECKED	FINISH		1	03/2015	GM	NEW			
SEE RELEVANT DCP #			ISSUE	DATE	DCP #	CHANGE DETAILS	ISSUE	DATE	
							DCP #	CHANGE DETAILS	
DRAWN	ALL WORK TO COMPLY WITH CURRENT ENGINEERING STANDARDS		THIRD ANGLE PROJECTION DRAWING PREPARED IN ACCORDANCE WITH BS8888			THIS DRAWING IS THE COPYRIGHT OF Bibby Scientific, COPIES IN WHOLE OR PART MUST NOT BE MADE WITHOUT THE WRITTEN CONSENT OF THE COMPANY ©2015			
		TITLE <b>fbc lid envelope</b>				SHEET No. 1 OF 1	ITEM No.	DRAWING NUMBER <b>techn-270</b>	<b>A4</b>
Bibby Scientific, Beacon Road, Stone, Staffordshire, ST15 0SA, United Kingdom. Tel: 01785 812121 Fax: 01785 810405 Email: info@bibby-scientific.com									